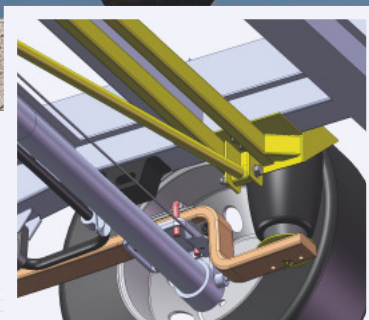


• *VB-FullAir*



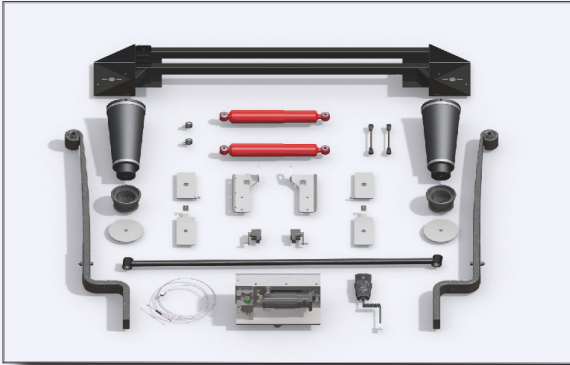
## *The Nissan Interstar x-70*



*with VB-FullAir rear axle air suspension*

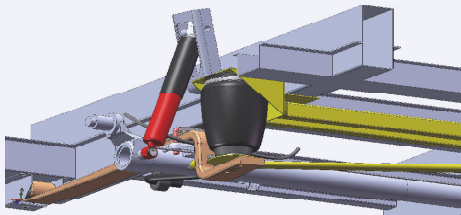
## Nissan Interstar also available with VB-FullAir rear axle air suspension

The Nissan Interstar is available with rear axle air suspension. The Interstar is extremely suited for the use of air suspension systems and our VB-FullAir-2C is available for new and used vehicles. This newly developed rear axle air suspension, from VB-Airsuspension, is available as an after-market option through the Nissan network, or direct from VB.



### VB-FullAir 2C system

The VB-FullAir, a full-air rear-axle air-suspension, has an electronic system named VB-ASCU (VB-Air Suspension Control Unit), which automatically monitors and adjusts the ride-height of the vehicle. This constant monitoring and adjusting (independent of the load, in the longitudinal and lateral direction and relatively independent of centre gravity height) will automatically contribute to a safe vehicle behaviour and a better comfort. The vehicle may not be overloaded.



### Software

The electronic part of the rear axle air suspension is compatible with the vehicle's main electrical system. Various software variants create the possibility to adapt the VB-FullAir 2C air-suspension to the specific use of the vehicle.



### Changing height

The vehicle level can be changed manually with the standard hand-held when the vehicle stands still; therefore lowering of the chassis/ load platform is one of the systems standard possibilities.



### Advantages VB-FullAir 2C::

- Improved suspension comfort
- Constant ride height
- Improved road handling and stability
- Increased protection of vulnerable / sensitive goods
- Less impact for passengers
- Kneeling facility
- Less wear of tyres / brakes
- Environmentally friendlier, less CO2 emission

### Market circumstances

The Nissan Interstar X-70 will be used for a wide range of individual needs and market circumstances where air suspension is essential. For example: passenger transport, disabled persons transport, rescue vehicles, motorhomes, car transporters and for the transport of shock-sensitive products. For these and more usages, and individual needs, our VB-FullAir-2C is the right solution.

### Supply and service

Air-suspended Movano's can be supplied and serviced by VB-Airsuspension dealers and the Nissan dealer organisation.

### VB-Airsuspension data:

	Chassis cab	Van
Standard driving height (unloaded)	662-667 mm	538-545 mm
Standard driving height (max. load)	610-620 mm	485-490 mm
Driving height with VB-FullAir-2C	570 mm	475 mm
Highest position	+30 mm	+40 mm
Lowest position	- 75 mm	- 90 mm

\*Chassis height chassis cab. measured at the upper crossbeam, above the rear axle

\*Chassis height van measured on the loading floor at the rear of the car.

For more information: [info@vbairsuspension.com](mailto:info@vbairsuspension.com)

