

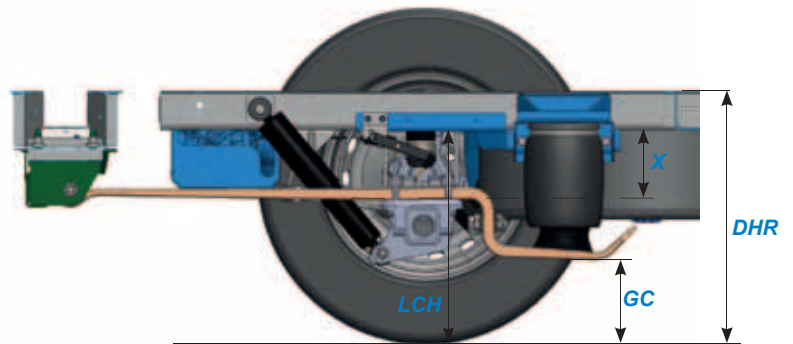
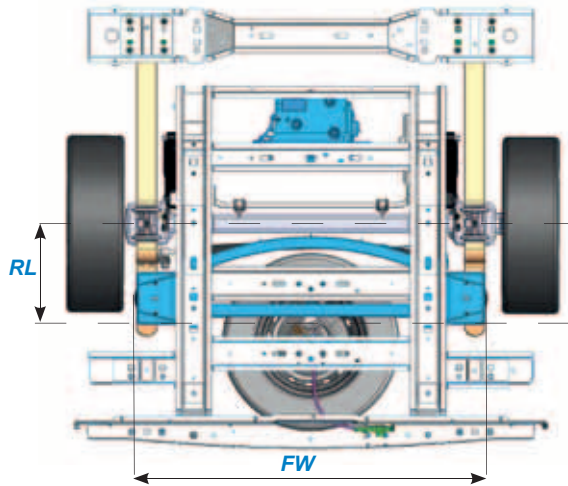


VB-FULLAIR-2C

making everyday smoother



airsuspension



Description*	Min. height	Rideheight	Max. height
Lower chassis height (LCH)	340 mm	435 mm	470 mm
Drive height rear (DHR)	415 mm	535 mm	575 mm
Ground clearance (GC)	195 mm	155 mm	141 mm
X-value (X)	55 mm	152 mm	190 mm
Rear length (RL)	391 mm		
Frame width (FW)	1378 mm		

* All the measurements are in mm, measured above the centre-line of the rear axle on a panel van L2H2 vehicle, with tyre size 225/65R16 and a rear axle load of 710kg. Therefor a tyre compression of 11mm is included.

- Increased comfort • Better driveability • More safety



RENAULT MASTER
OPEL MOVANO
NISSAN NV400

FWD single air X62 > 2010

TECHNICAL SPECIFICATION

TECHNICAL SPECIFICATION

Air-suspension system

Suspension system contains main springs, air-springs, shock absorbers, a cross- beam and a compressorbox.

The system has a dual-air-circuit with twin height sensors.

The Electronics of the air suspension is tested according to EMC (european directives for electronics) directive 72/245/EWG last amended, 2006/28/EG.

The air-suspension can be controlled by the supplied remote control. There are different options for this: VB-SRC (Standard Remote Control) or a simple control unit. It's even possible to control the system trough the electrical system or CAN-bus system of the body builder.

For more information, contact VB-Airsuspension.

Weights

The weight change of the vehicle after switching to air-suspension is +35kg.

Raise and lower times

The raise en lower times depend on the load of the vehicle. The measured values are achieved with a rear axle load of 710kg.

Raise time	Lowest position → Ride height	29 sec.
	Ride height → Highest position	25 sec.
Lower time	Highest position → Ride height	20 sec.
	Ride height → Lowest position	25 sec.

Compressor

Contains an air dryer, thermal circuit breaker and a pressure protection valve.

Operating voltage:	12V
Nominal current:	26A
Starting current:	≤ 90 A over t ≤ 50ms
Degree of protection	IP68
Maximum pressure:	13,5 bar

Dealer:

Air-spring

VB-TS (Tapered Sleeve) with double polyamide cord ply and extra low resistance and hysteresis. This air-spring is specially developed for use with light commercial vehicles.

Options

- Emergency valve kit 2C
- Rear-door switch kit
- Extra-time module

Comments

By fitting the air-suspension kit, the maximum GVW or the maximum axle load is not altered.

The measured weights are approximately determined.

The technical specifications are the standard VB-Airsuspension versions. Other specifications are on request. VB-Airsuspension reserves the right to make changes without prior notification.