



VB-FULLAIR-2C

making everyday smoother



airsuspension



- Increased comfort • Better driveability • More safety



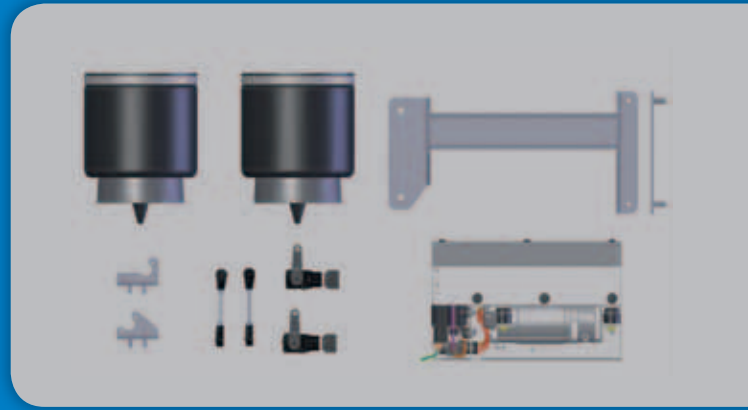
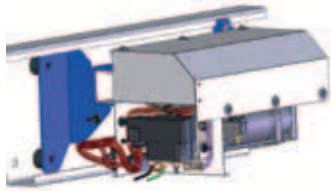
MERCEDES-BENZ SPRINTER

Al-Ko chassis 2006>

PRODUCT SHEET

PRODUCT SHEET

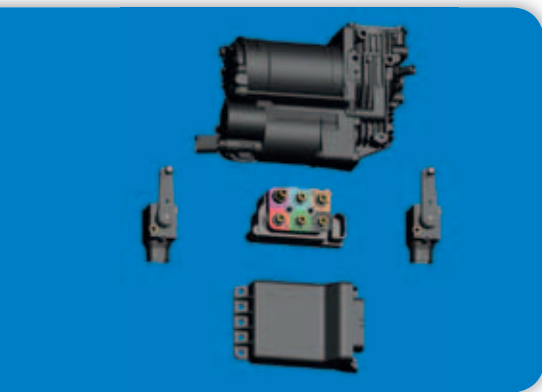
The Mercedes-Benz Sprinter with 'Lowframe ALKO chassis' is now available with rear axle air-suspension. Our VB-FullAir-2C is available for new and used vehicles. This rear axle air-suspension, from VB-Airsuspension, is available as an after-market option through the VB-Airsuspension network.



VB-FullAir-2C system

The VB-FullAir, a full-air rear-axle air-suspension, has an electronic system named VB-ASCU (VB-Air **S**uspension **C**ontrol **U**nit), which automatically monitors and adjusts the height level of the vehicle.

This constant monitoring and adjusting (independent of the load, in the longitudinal and lateral direction and relatively independent of centre of gravity) will automatically contribute to a safer vehicle behaviour and improved comfort.



Software

Various software variants create the possibility to adapt the VB-FullAir-2C air-suspension to the specific use of the vehicle.

Changing height

The vehicle level can be changed manually with the standard remote control when the vehicle stands still; therefore lowering of the chassis / load platform, for easy access, is one of the system's standard possibilities.

Dealer:

Advantages VB-FullAir-2C:

- Improved suspension comfort
- Constant ride height
- Improved road handling and stability
- Increased protection of vulnerable / sensitive goods
- Less impact for passengers
- Kneeling facility
- Less wear of tyres / brakes
- Environmentally friendlier, less CO² emission

Applications

The Sprinter will be used for a wide range of applications where air-suspension is essential. For example: passenger transport, motorhomes and for the transport of shock-sensitive products.

For these and more usages, and individual needs, our VB-FullAir-2C is the right solution.

Supply and service

The air-suspension of the Mercedes-Benz Sprinter can be supplied and serviced by VB-Airsuspension dealers.

VB-Airsuspension data*:	Al-Ko chassis
Standard ride-height (unloaded)	587 mm
Standard ride-height (maximum load)	493 mm
Rideheight with VB-FullAir-2C	550 mm
Highest position	+45 mm
Lowest position	-95 mm

* Indicative measures, for information only. Exact valeus dependant of wheelbase, vehicle load and tyre size and pressure. Vehicle height measured above the rear-axle at the upperside of the ALKO chassis of the vehicle.