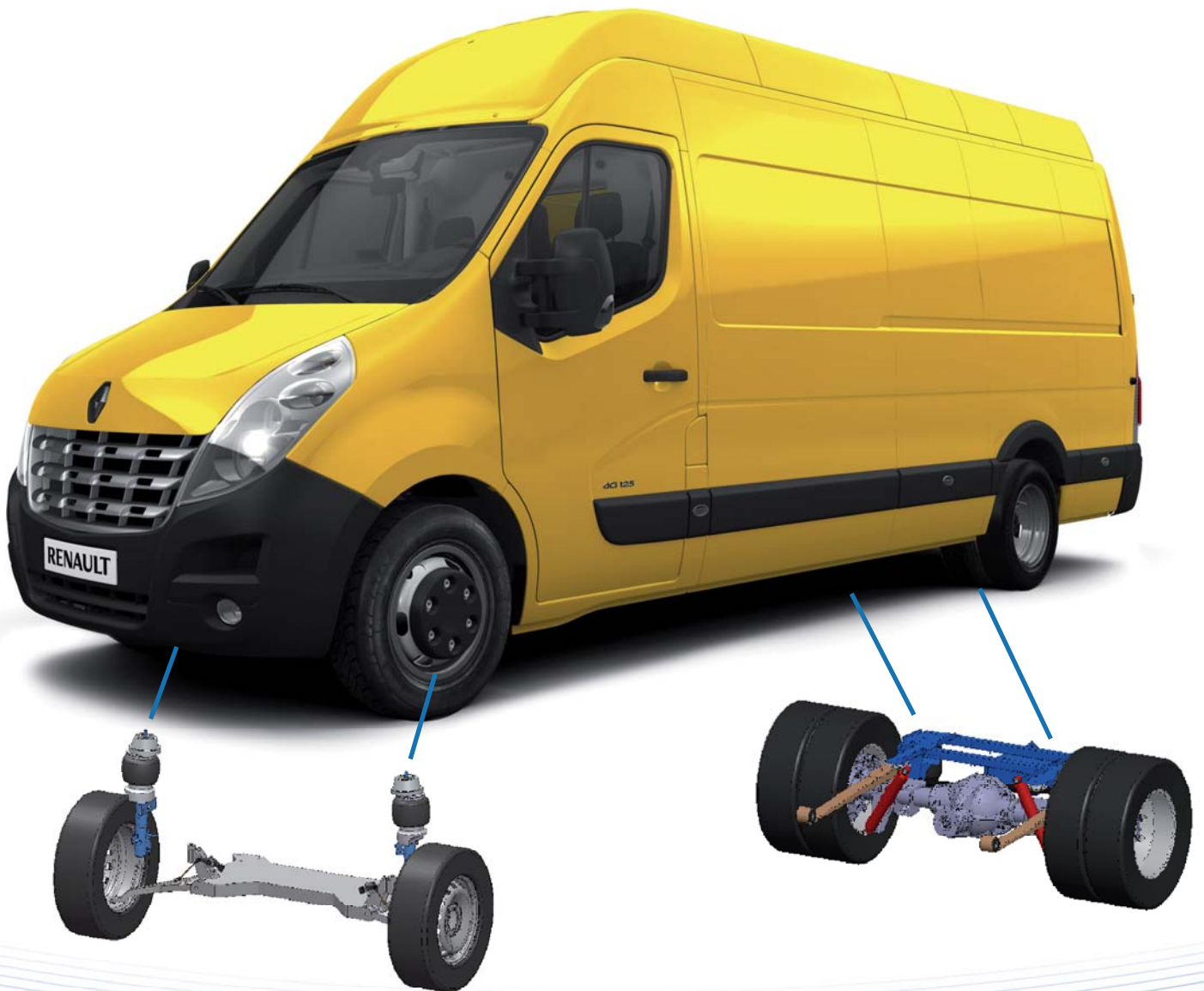


• *VB-FullAir*



The new Renault Master RWD twin wheel

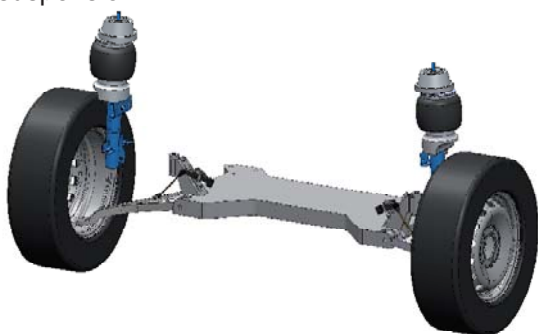


*with VB-FullAir-4C front- & rear-axle
air-suspension*

The new Renault Master with VB-FullAir-4C air-suspension

The new Renault Master is now available with front- and rear-axle air-suspension. The Master is extremely suited for the use of air-suspension systems and our VB-FullAir-4C is available for new and used vehicles.

This newly developed front and rear axle air-suspension, from VB-Airsuspension, is available as an after-market option through the Renault network and VB-Airsuspension.



VB-FullAir-4C system

The VB-FullAir, a full-air front- and rear-axle air-suspension, has an electronic system named VB-ASCU (VB-Air Suspension Control Unit), which automatically monitors and adjusts the height level of the vehicle.

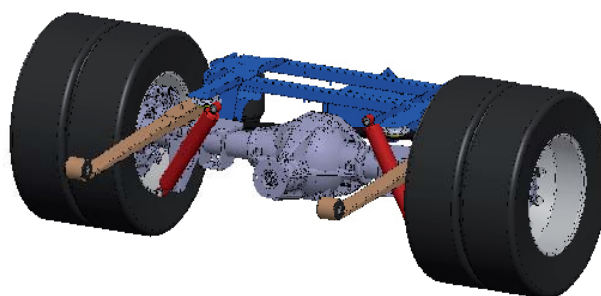
This constant monitoring and adjusting (independent of the load, in the longitudinal and lateral direction and relatively independent of centre gravity height) will automatically contribute to a safer vehicle behaviour and improved comfort.



Changing height

The vehicle level can be changed manually with the standard remote control when the vehicle stands still.

Therefore lowering of the chassis / load platform is one of the system's standard possibilities.



Software

The electronic part of the rear axle air-suspension is compatible with the vehicle's main electrical system. Various software variants create the possibility to adapt the VB-FullAir-4C air-suspension to the specific use of the vehicle.

Applications

The new Renault Master X-62 will be used for a wide range of applications where air suspension is essential. For example: passenger transport, disabled persons transport, rescue vehicles, motorhomes, car transporters and for the transport of shock-sensitive products. For these and more usages, and individual needs, our VB-FullAir-4C is the right solution.

Advantages VB-FullAir-4C:

- Improved suspension comfort
- Constant ride height
- Improved road handling and stability
- Increased protection of vulnerable / sensitive goods
- Less impact for passengers
- Kneeling facility
- Less wear of tyres / brakes
- Environmentally friendlier, less CO₂ emission
- Spare wheel stays available under vehicle

Supply and service

The air-suspension of the Renault Masters can be supplied and serviced by VB-Airsuspension dealers and the Renault dealer organisation.

Technical specifications:*	Front	Rear
Standard ride height (unladen)	490 mm	700 mm
Standard ride height (max. loaded)	470 mm	590 mm
Ride height with VB-FullAir-4C	490 mm	630 mm
Highets position (0-5km/h)	+50 mm	+60 mm
Lowest position (0-5km/h)	-80 mm	-105 mm

*Indicative measures, for information only. Exact values dependant of wheelbase, vehicle load and tyre size and pressure. Vehicle height measured on the loading floor at the rear of the vehicle.

Attention!! When ordering the vehicle, please always order factory option CABADP!! If ordering a FullAir kit for a chassis cab, then also order vb part 1052350065 (Spare wheel bracket)

For more information: info@vbairsuspension.com



© 12-2010 V1.0